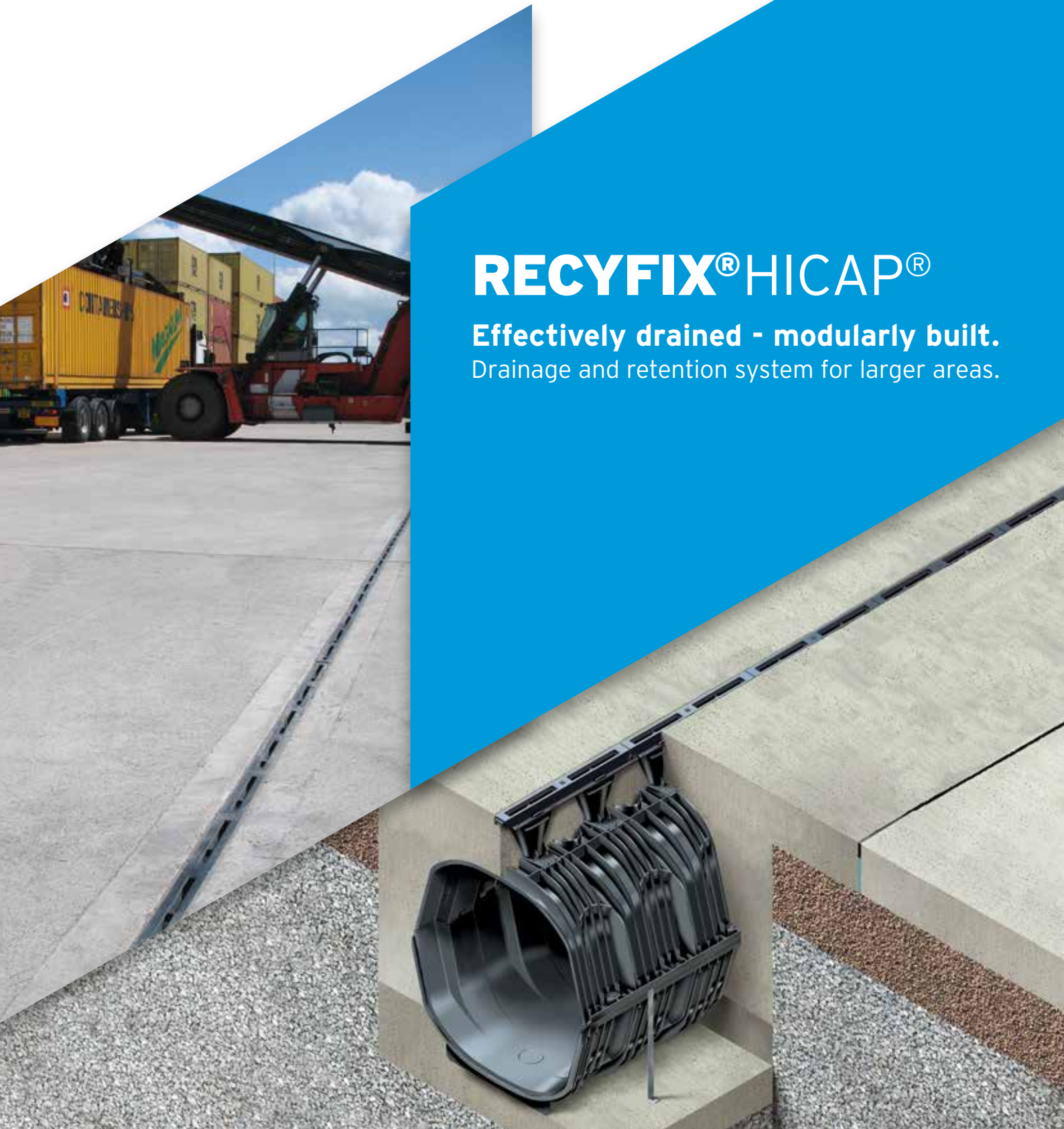




# RECYFIX® HICAP®

**Effectively drained - modularly built.**  
Drainage and retention system for larger areas.



# RECYFIX®HICAP®

**Effectively drained - modularly built.  
Drainage and retention system for larger areas.**

## Special standards in times of climate change

Due to the climate change, the German Meteorological Service (DWD) has redefined heavy precipitations to be expected. Torrential rain lasting more than 5 minutes, which statistically is to be expected once in 5 years, must now be assessed to have 10 % more content than before. Large areas with a high traffic volume therefore require a particularly effective drainage solution.

At the same time the channel run must offer a large backwater reserve to meet community standards following measures for flood safety. In barrier-free urban and residential areas steps and kerbs, which would serve as a barrier for flood zones, are omitted. For these applications the drainage system must provide sufficient safety.

## The new solution: RECYFIX®HICAP®

RECYFIX HICAP has been developed for special drainage functions. The channel system is used for draining large areas and simultaneously serves as a retention space. The RECYFIX HICAP drainage system holds large volumes of surface water, guides it over large distances and at one point directs it to the main channel. The system offers very high hydraulic capacity for increasing drainage averages. This creates a large backwater reserve. At the same time it offers the option to restrict the water output to the main water channel and to slowly release the collected water into the sewage network.



## Benefits

### for planners

- drainage and retention in one assembly
- large selection of different sizes
- suitable for all load classes and all popular pavements
- fewer trash boxes and outlets
- allows projects to be designed with a uniform look

### for contractors

- quick and easy installation
- break-proof components
- no separate covers
- less sewer connection work

### for construction companies

- safety through large hydraulic capacity
- easy to service
- continuous uniform look



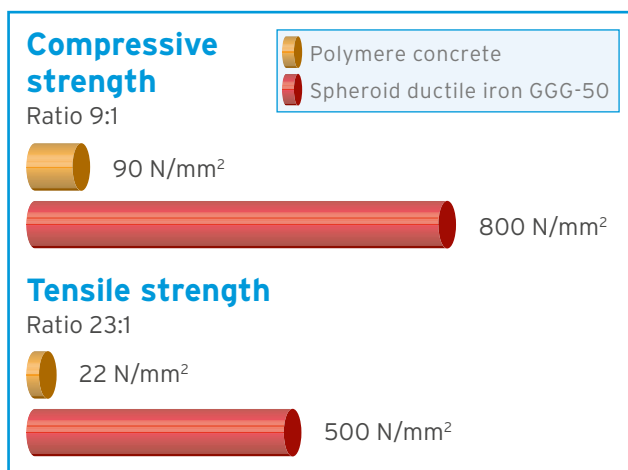
### Gratings made of sturdy spheroid ductile iron

The integrated gratings are made of high-quality spheroid ductile iron GGG-50. Different grating designs are available for different application areas. In roadways and pedestrian areas cross- or lengthwise webs are used. In industrial areas the "open slot" option with a particularly large inlet cross-section can be used. The traffic surface of ductile iron GGG-50 is extremely sturdy and unbreakable. It is designed for particularly high strain caused e.g. by heavy goods vehicles or airplanes.

The spheroid ductile iron GGG-50 material features 23 times more tensile strength and 9 times more compressive strength than polymer concrete. In regard to load and resistance to wear, these physical characteristics clearly speak in favour of the RECYFIX HICAP channels.

### PP channel bodies

The bodies of the RECYFIX HICAP channels are made of eco-friendly PP, 100% recycled composite. They are very lightweight and due to their low weight easy to install. The elements can be installed without installation aids. They are non-breakable and easily connected with groove and tongue joints. Special connectors ensure the correct transition of channels of different nominal sizes.



**At a Glance:**

- ✓ drainage and retention in one assembly
- ✓ uniform appearance
- ✓ easy installation
- ✓ for highest loading capacities up to F 900

# RECYFIX® HICAP®

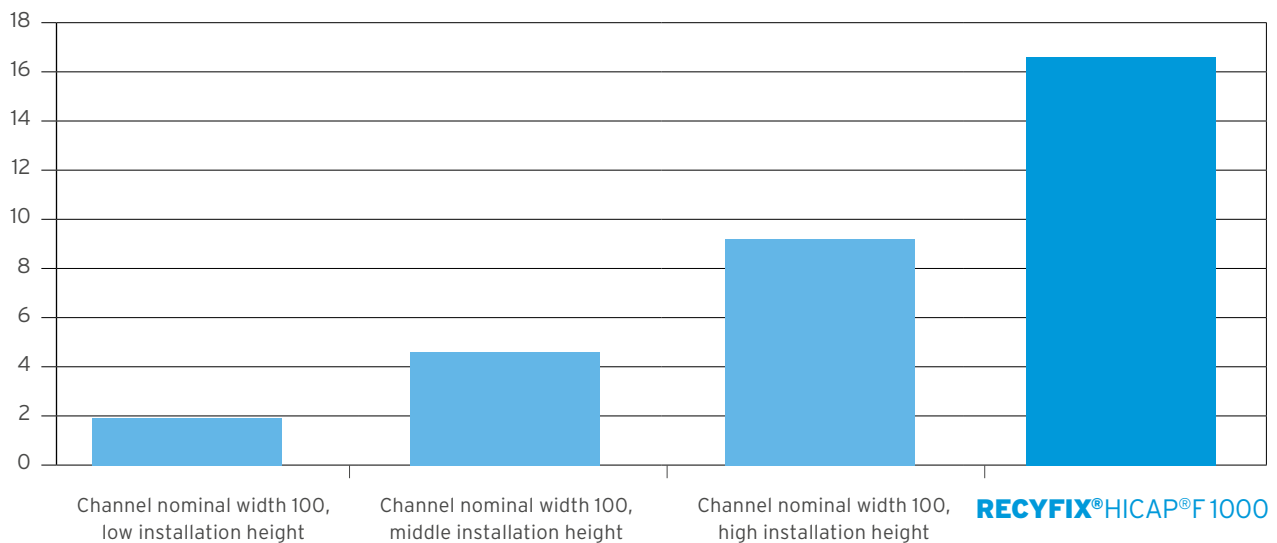
Effectively drained - modularly built.  
Drainage and retention system for larger areas.

## Draining large stretches with only one channel run

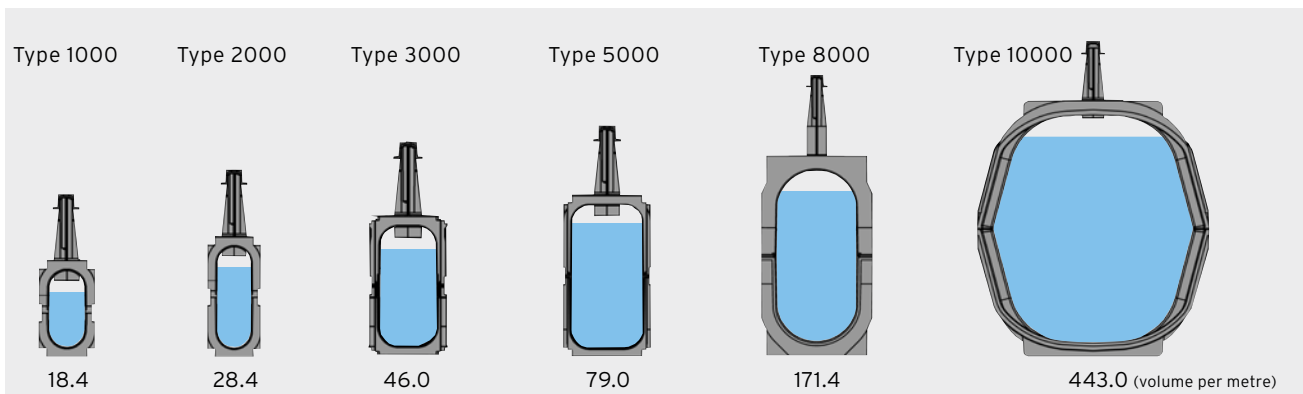
RECYFIX HICAP is so effective because large stretches can be implemented with one single channel run. Starting with a channel type 1000 mm, it offers the option to expand up to channel type 10000. With this, the installation height increases as well and a channel is created underground which cannot be seen above ground. What's seen is a drain line with a consistently narrow cover.

A trash box which can be installed at any location of the channel run is used to connect to the sewer system or as a connection to other branches of the drainage system. As a two-part component, the trash box can also be used as a pump pit.

### Comparison flow capacity l/s



### RECYFIX® HICAP®: Channels with backwater volume



### A practical example:

The following practical example demonstrates the large drainage- and retention capacity of RECYFIX HICAP channels:

### Logistics Centre Plovdiv, Bulgaria

Channel length: 356 m, divided:

- 66 m RECYFIX HICAP F 200 Type 5300, slot 28 mm
- 136 m RECYFIX HICAP F 300 Type 8300, slot 28 mm
- 154 m RECYFIX HICAP F 680 Type 10300, slot 28 mm

Total drainage area: 10,730 m<sup>2</sup>

Runoff coefficient (specified by the planner): 0.85

Rain yield factor (specified by the planner): 300 l/s ha

→ **Discharge capacity at end of channel run: 252 l/s**

**One single channel run drains a surface of more than 10,000 m<sup>2</sup>, directs the entire water amount over more than 356 m and at the end releases it into the public sewer at one single point at a rate of 252 l/s.**



# RECYFIX®HICAP®

**RECYFIX®HICAP® provides reliable surface drainage for over 10 years**

## Parking area of Doncaster's Community Sports Complex, UK

It has been 10 years since the introduction of the RECYFIX HICAP drainage system. The system was first installed in 2006 in the parking area at Doncaster's Lakeside Community Sports Complex. The Complex was planned and built according to the highest architectural standards, integrating sports and community facilities in a spectacular parkland setting.

Over the years, well over 100,000 RECYFIX HICAP channels have been installed in numerous UK projects. The RECYFIX HICAP system was the result of an extensive research and development programme run by the HAURATON design engineers during 2005/6. The design work resulted in an innovative surface water drainage system that had a unique ductile iron top tested up to class F 900 loading capacity. Using ductile iron prevented distortion of the slots during installation and their entire life span. RECYFIX HICAP was developed to facilitate rainwater run-off from large hard landscaped, tarmac and concrete surfaces.

Tim Connolly, Managing Director, is delighted with the success of the product in the UK. Tim reports, "After 10 years of use, the RECYFIX HICAP channel runs at Doncaster have provided trouble-free drainage with no failures reported in any of the components installed."



After over 10 years of use, the RECYFIX HICAP channel runs at Doncaster have provided trouble-free drainage with no failures reported in any of the components installed.

HAURATON provided the Doncaster's Community Sports Complex with RECYFIX HICAP.

Further **RECYFIX®HICAP®** references:



Office building, Warsaw Spire, Poland



Distribution warehouse, Trafford Point, UK



Airbase, Bulgaria

# RECYFIX® HICAP® F

High capacity drainage system for the highest load category.







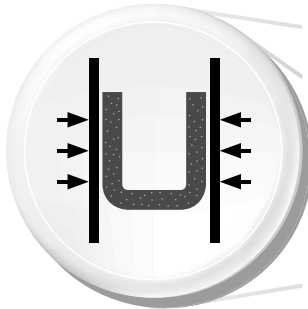
# The benefits of **RECYFIX®HICAP®F** channels



## Fast & easy installation

- easy to handle and install
- integrated tongue and groove joint
- installation in one component
- less pipe installations

= **Cost saving**



## Top inlet made of high-quality ductile iron and channel body from sustainable PP

- material: ductile iron EN GJS-500-7
- 23 times higher tensile strength and 9 times higher compressive strength as polymer concrete
- various gratings
- surfaces extreme robust and indestructible

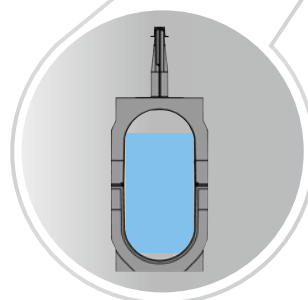
= **Safety**



## Channel body made from sustainable material

- material from 100 % recycled PP
- very light and unbreakable material

= **Security**



## Large retention volume

- drainage and retention in one component
- high capacity and back-pressure capacity due to a variety of sizes
- fewer trash boxes and pipe connections required

= **Flexibility/Security**





### Link&Lock facilitates the installation

- innovative linking system for ductile iron tops
- easy and quick alignment of each channel metre

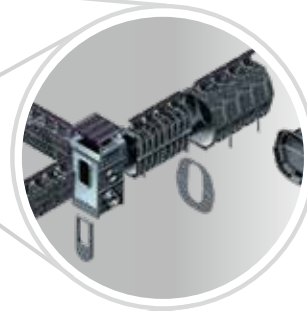
= **Cost savings**



### Individual solutions

- possible radial installation
- cable and pipe installations can be laid through funnel
- ductile iron top on the surface can be interrupted while the channels continue underground

= **Flexibility**



### Various connecting possibilities

- end cap with canal connection option
- simple possibility for preparation of corner and T-connections
- end cap adapter for connecting the next nominal width
- various options for pipe connections exist on the channel

= **Flexibility**



### High stability

- designed for extreme conditions, especially for applications in heavy road traffic up to class F 900

= **Safety**



### Wide range

- various gratings, also available with KTL coating for extra corrosion protection
- uniform design also in different nominal widths

= **Flexibility**

# RECYFIX® HICAP® F

High capacity drainage system for the highest load category.

RECYFIX HICAP channels meet the requirements of DIN EN 1433 and are suitable for the following load categories:



Category  
A 15



Category  
B 125



Category  
C 250



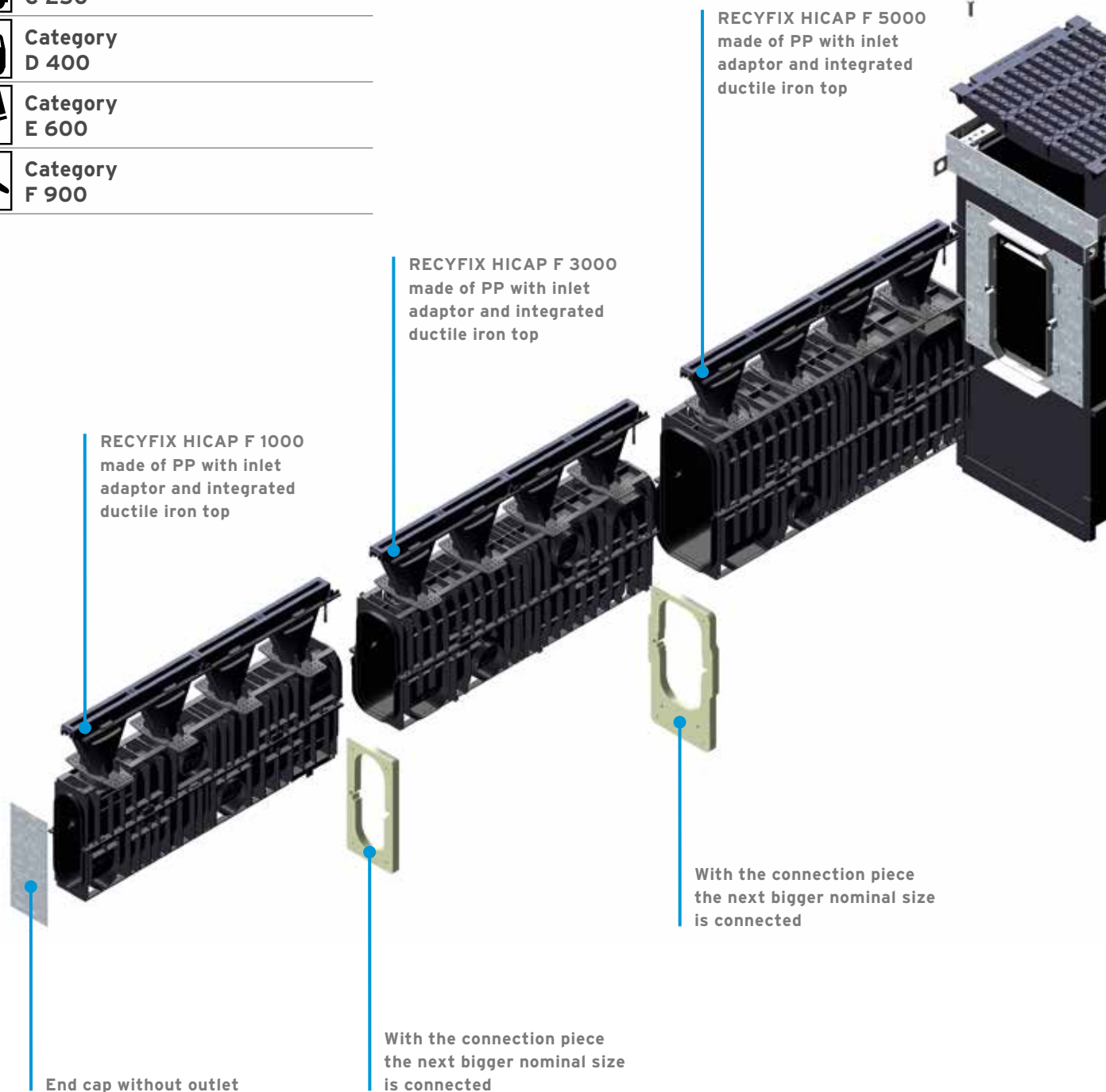
Category  
D 400

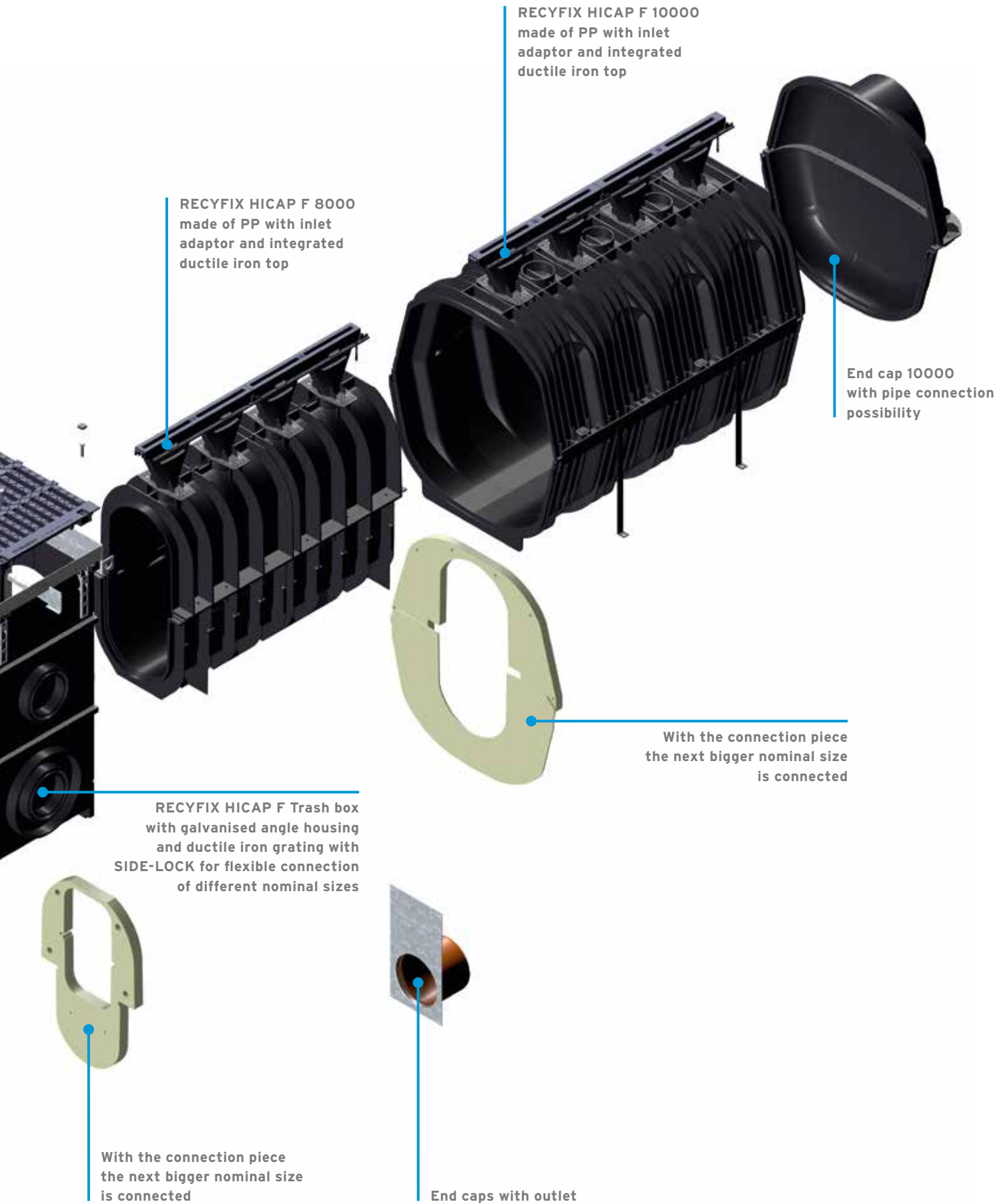


Category  
E 600



Category  
F 900





# RECYFIX®HICAP®F

High capacity drainage system for the highest load category.

## Sample calculation:

### RECYFIX®HICAP®F with mesh 13/28 mm grating

The hydraulic advantages of RECYFIX HICAP channels can be demonstrated by the following calculation:

Inlet capacity of a mesh 13/28 mm grating, determined at Prague Technical University: **4.0 l/s per metre**

Frequently occurring yield from rain events: **150 l/s per hectare**

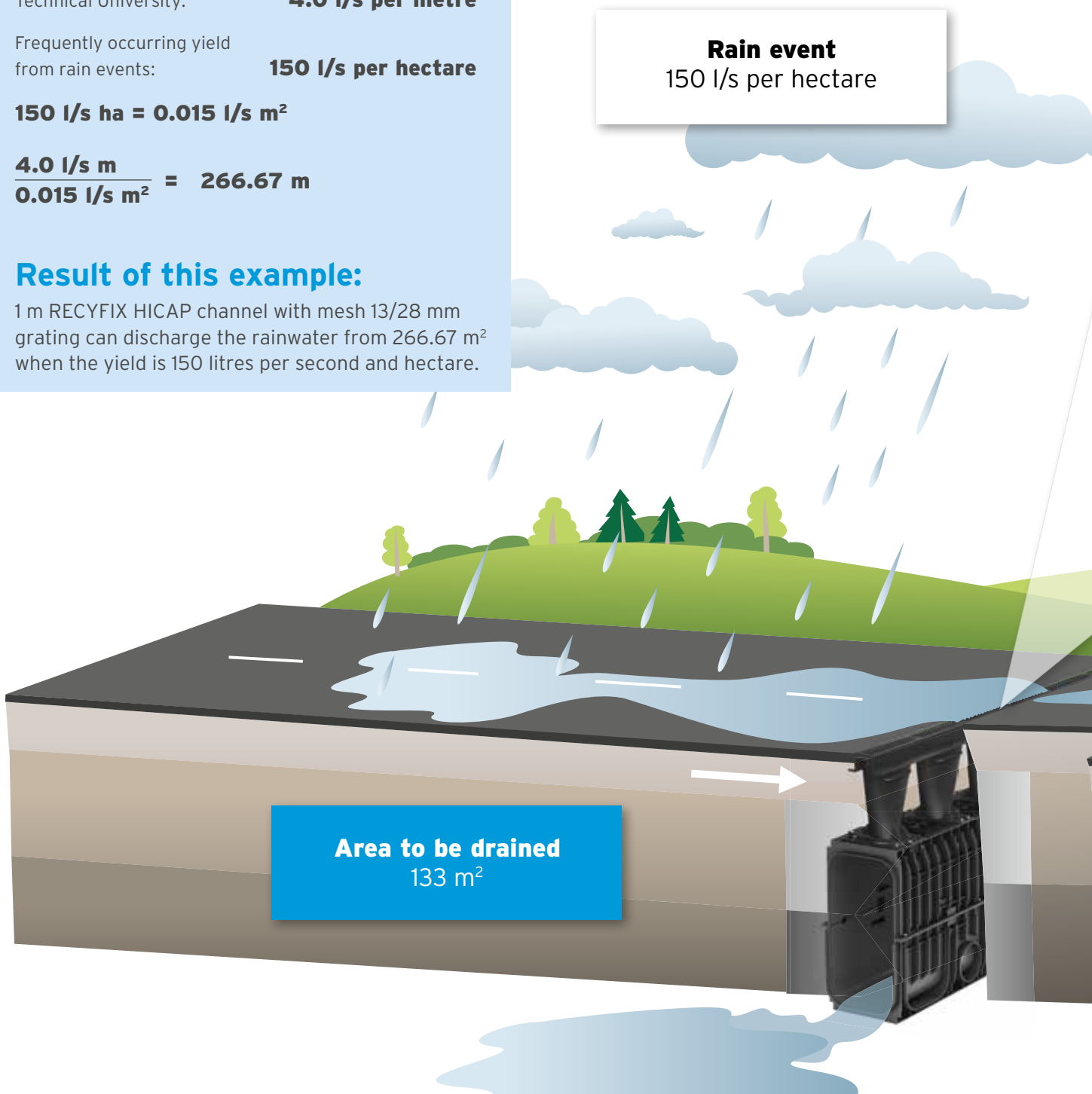
$$150 \text{ l/s ha} = 0.015 \text{ l/s m}^2$$

$$\frac{4.0 \text{ l/s m}}{0.015 \text{ l/s m}^2} = 266.67 \text{ m}$$

## Result of this example:

1 m RECYFIX HICAP channel with mesh 13/28 mm grating can discharge the rainwater from 266.67 m<sup>2</sup> when the yield is 150 litres per second and hectare.




**Rain event**  
150 l/s per hectare



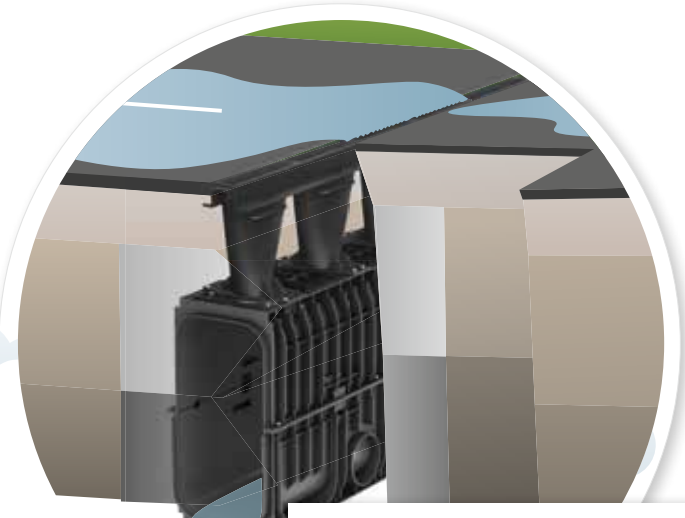
**Area to be drained**  
133 m<sup>2</sup>

**Inlet capacity of RECYFIX®HICAP®F**

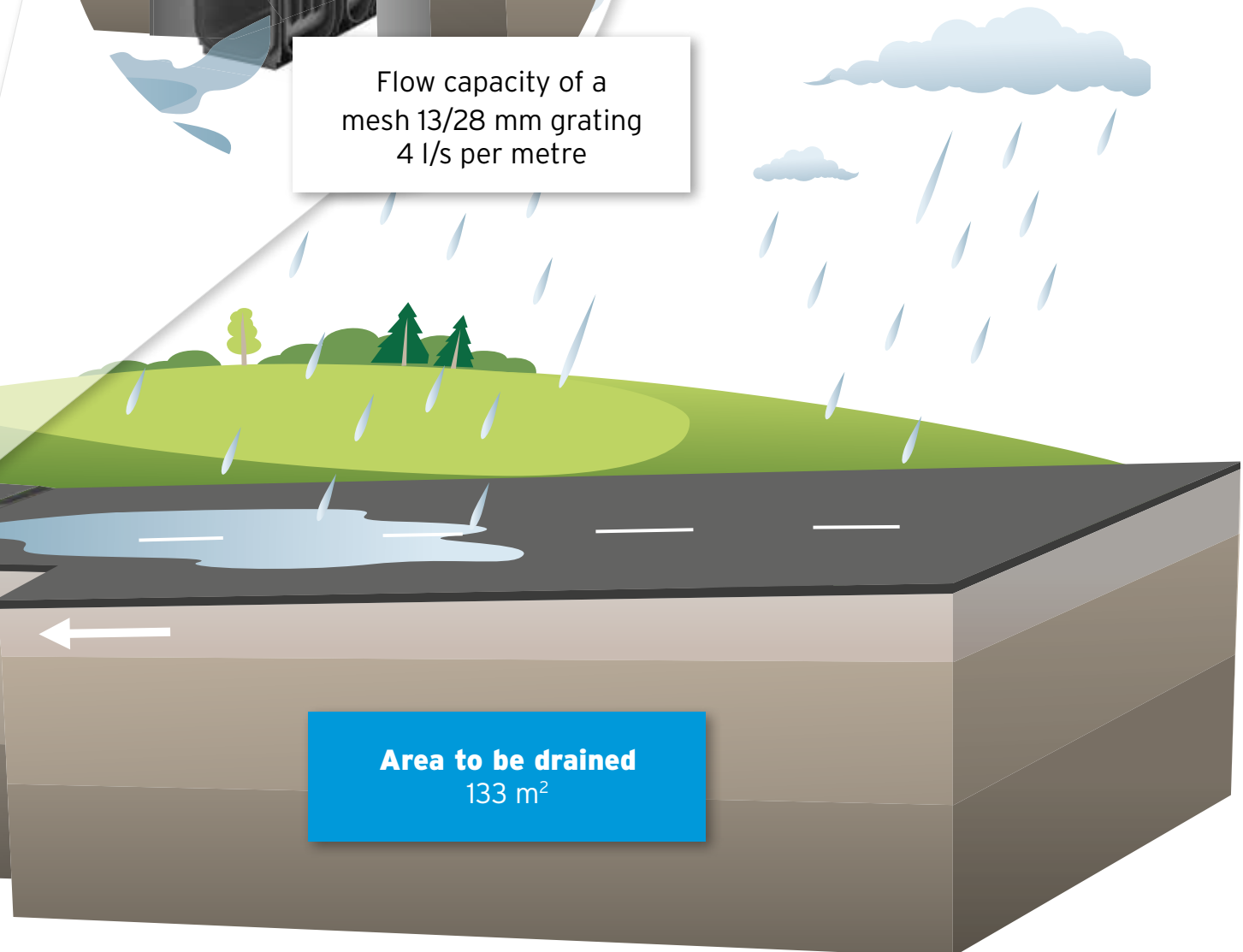
(applies to all nominal widths)

Slot 6 mm		3.80
Mesh 13/28 mm		4.00
Slot 28 mm		3.60

\* measured with a water head of 10 mm



Flow capacity of a mesh 13/28 mm grating  
4 l/s per metre



**Area to be drained**  
133 m<sup>2</sup>

# RECYFIX®HICAP®F

**Effectively drained - modularly built.  
Drainage and retention system for larger areas.**

## Report from the field: RECYFIX®HICAP®F channels for Heathrow Airport, London

With 67 million travellers annually, Heathrow Airport in London is Europe's busiest airport. Worldwide it takes third place behind Atlanta and Chicago. This important hub in international air traffic is operated by BAA, British Airports Authority, the largest airport operator worldwide. 75 % of the British Airways fleet is based at Heathrow Airport.



At the southern section of the airport the British Airways service park was expanded. The construction site abutted right on the runway and taxiway. The demands on the new service site were immense: here airplanes of all types and sizes pass - including the Airbus A380, which was

also a main reason for the reconstruction. The aircraft tugs alone weigh 80 tons and, just as the airplanes, drive and turn on the traffic areas. The demands on the drainage systems are accordingly high.

### Project progress

In 1999 BAA was supplied with FASERFIX SUPER channels for the Gatwick airport and installed in the British Airways hangars and Concorde maintenance hangars. One year later, FASERFIX SUPER KS 100 channels were delivered to London City Airport. The assigned engineering office was very satisfied with the quality and service. In 2003 BAA broached the topic of installation and handling of drainage systems. The main topic of the discussions was the extreme weight of the products and the associated high employment of machines during installation.

On multiple occasions, HAURATON contacted various departments of BAA and presented the advantages of RECYFIX products (lightweight, easy handling, meets British "Health and Safety Regulations" = One-man-lift = max. 25 kg). Drainage channels from this line were presented in various meetings and BAA decided across the board to work with HAURATON in the area of RECYFIX.





## RECYFIX®HICAP®F - eco-friendly and 'easy to handle'

Another key criterion for BAA was recycling. Airport planning and operation are subject to stringent environmental requirements. Products made of recycled plastic are therefore especially suited.

Suppliers routinely need to present BAA with product innovations which offer cost savings in installation and maintenance. In 2006 the time came for HAURATON to present the new line RECYFIX HICAP. The feedback was very positive, with BAA immediately recognising the resulting advantage in installation and maintenance, and the installation at Heathrow was decided.

### Installed items

- 380 m RECYFIX HICAP F 8000
- 100 m RECYFIX HICAP F 5000
- 100 m RECYFIX HICAP F 3000



Lightweight elements, installed by one single worker.

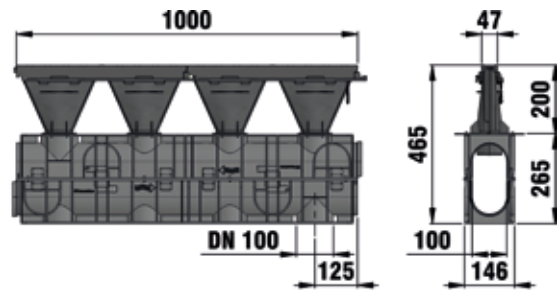
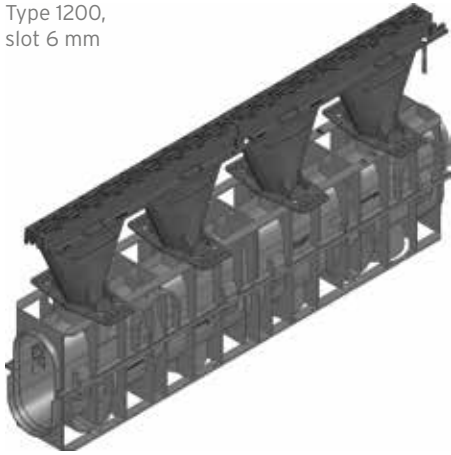
### Other examples of RECYFIX®HICAP®F



# RECYFIX®HICAP®F 1000

## RECYFIX®HICAP®F 1000 up to load class D 400

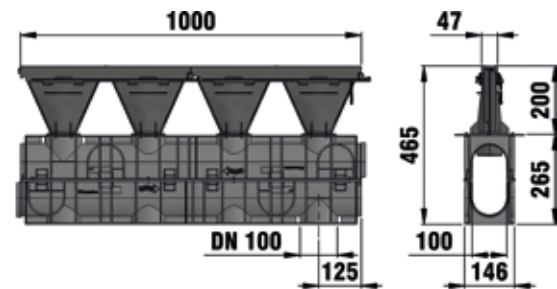
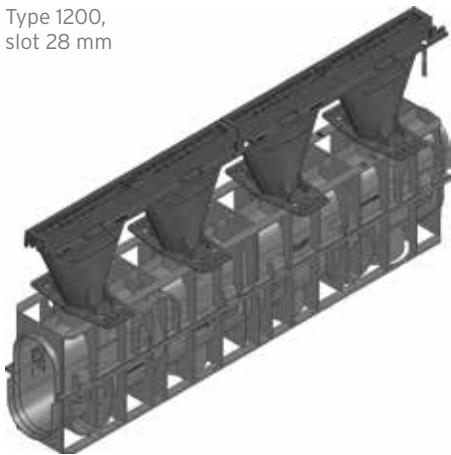
Type 1200,  
slot 6 mm



	Length mm	Width mm	Height mm	Drainage cross-sect. cm <sup>2</sup>	Intake cross-sect. cm <sup>2</sup> /m	Funnel H mm	Weight kg	Item No.
Type 1200, slot 6 mm	1000	146	465	184	129	200	10,75	13000

## RECYFIX®HICAP®F 1000 up to load class F 900

Type 1200,  
slot 28 mm



	Length mm	Width mm	Height mm	Drainage cross-sect. cm <sup>2</sup>	Intake cross-sect. cm <sup>2</sup> /m	Funnel H mm	Weight kg	Item No.
Type 1200, mesh 13/28 mm	1000	146	465	184	172	200	10,75	13025
Type 1200, slot 28 mm	1000	146	465	184	248	200	9,91	13035
Type 1200, slot 14 mm	1000	146	465	184	124	200	10,75	13023

# RECYFIX®HICAP®F 1000

## RECYFIX®HICAP®F 1000, Accessories



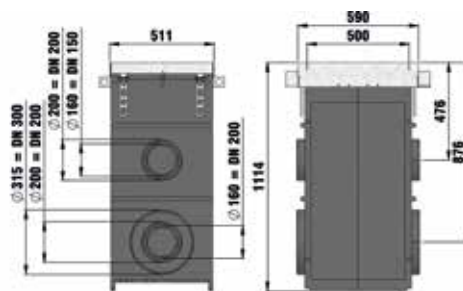
End cap closed, galvanised, type 1000



End cap with PVC-U pipe outlet DN/OD 110, galvanised, type 1000

	Length mm	Width mm	Height mm	Weight kg	Item No.
End cap closed, galvanised, type 1000	-	140	250	1,20	13013
End cap with PVC-U pipe outlet DN/OD 110, galvanised, type 1000	-	140	250	1,20	13018

## RECYFIX®HICAP®F Trash boxes



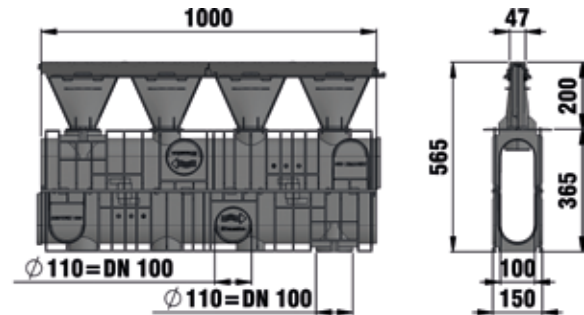
Trash box complete with ductile iron grating SW 3x140/20 mm, class E 600

	Length mm	Width mm	Height mm	Weight kg	Item No.
Trash box complete with ductile iron grating SW 3x140/20 mm, class E 600	511	590	1114	101,00	16500
Trash box complete with solid ductile iron cover, class E 600	511	590	1114	103,50	16505
Trash box connector incl. assembling, RECYFIX HICAP 1000	-	-	-	2,73	881
Trash box connector incl. assembling, RECYFIX HICAP 2000	-	-	-	4,10	882
Trash box connector incl. assembling, RECYFIX HICAP 3000	-	-	-	3,90	884
Trash box connector incl. assembling, RECYFIX HICAP 5000	-	-	-	3,80	886
Trash box connector incl. assembling, RECYFIX HICAP 10000	-	-	-	4,70	888

# RECYFIX®HICAP®F 2000

## RECYFIX®HICAP®F 2000 up to load class D 400

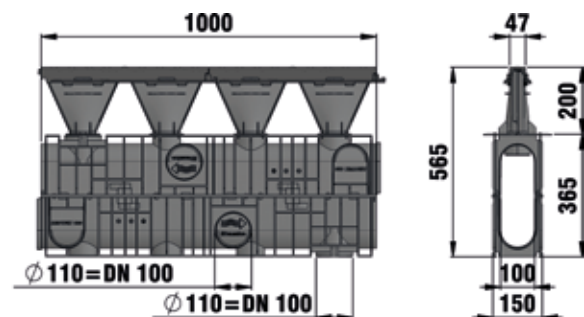
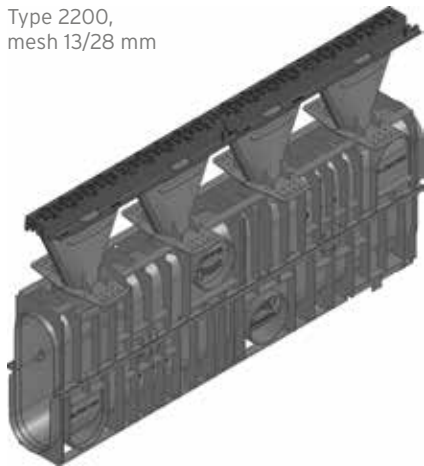
Type 2200,  
slot 6 mm



	Length mm	Width mm	Height mm	Drainage cross-sect. cm <sup>2</sup>	Intake cross-sect. cm <sup>2</sup> /m	Funnel H mm	Weight kg	Item No.
Type 2200, slot 6 mm	1000	150	565	284	129	200	13,20	13010

## RECYFIX®HICAP®F 2000 up to load class F 900

Type 2200,  
mesh 13/28 mm



	Length mm	Width mm	Height mm	Drainage cross-sect. cm <sup>2</sup>	Intake cross-sect. cm <sup>2</sup> /m	Funnel H mm	Weight kg	Item No.
Type 2200, mesh 13/28 mm	1000	150	565	284	172	200	13,10	13020
Type 2200, slot 28 mm	1000	150	565	284	248	200	11,14	13030
Type 2200, slot 14 mm	1000	150	565	284	124	200	11,51	13028

# RECYFIX®HICAP®F 2000

## RECYFIX®HICAP®F 2000, Accessories



End cap closed, galvanised, type 2000



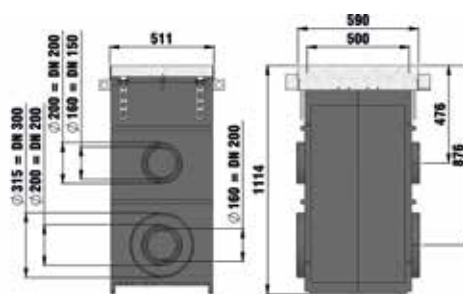
End cap with PVC-U pipe outlet DN/OD 110, galvanised, type 2000



Step-fall ramp, stainless steel, from RECYFIX HICAP 2000 to RECYFIX HICAP 1000

	Length mm	Width mm	Height mm	Weight kg	Item No.
End cap closed, galvanised, type 2000	-	140	350	1,80	13012
End cap with PVC-U pipe outlet DN/OD 110, galvanised, type 2000	-	140	350	2,00	13015
Step-fall connector from RECYFIX HICAP 3000 to RECYFIX HICAP 2000	-	180	245	1,00	13019
Step-fall ramp, stainless steel, from RECYFIX HICAP 2000 to RECYFIX HICAP 1000	99	97	-	0,25	13195

## RECYFIX®HICAP®F Trash boxes



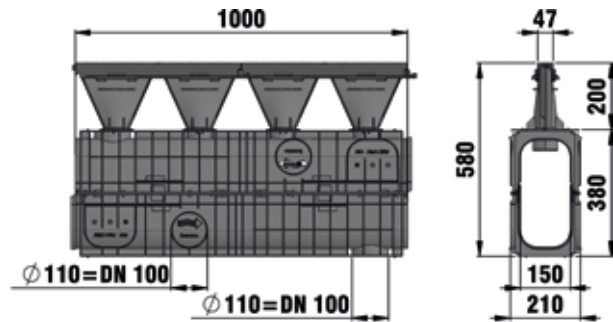
Trash box complete with ductile iron grating SW 3x140/20 mm, class E 600

	Length mm	Width mm	Height mm	Weight kg	Item No.
Trash box complete with ductile iron grating SW 3x140/20 mm, class E 600	511	590	1114	101,00	16500
Trash box complete with solid ductile iron cover, class E 600	511	590	1114	103,50	16505
Trash box connector incl. assembling, RECYFIX HICAP 1000	-	-	-	2,73	881
Trash box connector incl. assembling, RECYFIX HICAP 2000	-	-	-	4,10	882
Trash box connector incl. assembling, RECYFIX HICAP 3000	-	-	-	3,90	884
Trash box connector incl. assembling, RECYFIX HICAP 5000	-	-	-	3,80	886
Trash box connector incl. assembling, RECYFIX HICAP 10000	-	-	-	4,70	888

# RECYFIX®HICAP®F 3000

## RECYFIX®HICAP®F 3000 up to load class D 400

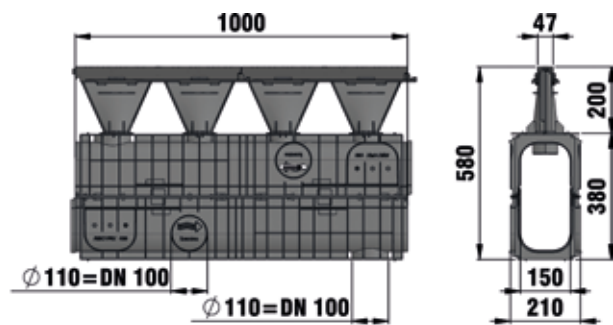
Type 3200,  
slot 6 mm



	Length mm	Width mm	Height mm	Drainage cross-sect. cm <sup>2</sup>	Intake cross-sect. cm <sup>2</sup> /m	Funnel H mm	Weight kg	Item No.
Type 3200, slot 6 mm	1000	210	580	460	154	200	12,50	13210

## RECYFIX®HICAP®F 3000 up to load class F 900

Type 3200,  
mesh 13/28 mm



	Length mm	Width mm	Height mm	Drainage cross-sect. cm <sup>2</sup>	Intake cross-sect. cm <sup>2</sup> /m	Funnel H mm	Weight kg	Item No.
Type 3200, mesh 13/28 mm	1000	210	580	460	172	200	12,40	13220
Type 3200, slot 28 mm	1000	210	580	460	248	200	11,29	13230
Type 3200, slot 14 mm	1000	210	580	460	124	200	11,95	13225

# RECYFIX®HICAP®F 3000

## RECYFIX®HICAP®F 3000, Accessories



End cap closed, galvanised, type 3000



End cap with PVC-U pipe outlet DN/OD 160, galvanised, type 3000



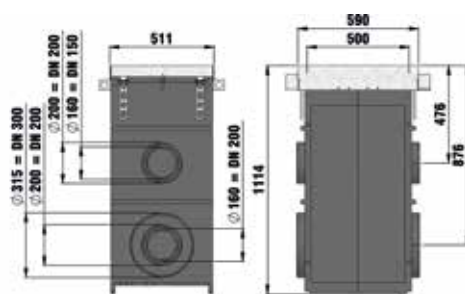
End cap with PVC-U pipe outlet DN/OD 110, galvanised, type 2000



Step-fall connector from RECYFIX HICAP 3000 to RECYFIX HICAP 2000

	Length mm	Width mm	Height mm	Weight kg	Item No.
End cap closed, galvanised, type 3000	-	190	370	2,00	13212
End cap with PVC-U pipe outlet DN/OD 160, galvanised, type 3000	-	190	370	2,40	13215
End cap with PVC-U pipe outlet DN/OD 110, galvanised, type 2000	-	140	350	2,00	13015
Step-fall connector from RECYFIX HICAP 3000 to RECYFIX HICAP 2000	-	180	345	2,00	13017

## RECYFIX®HICAP®F Trash boxes



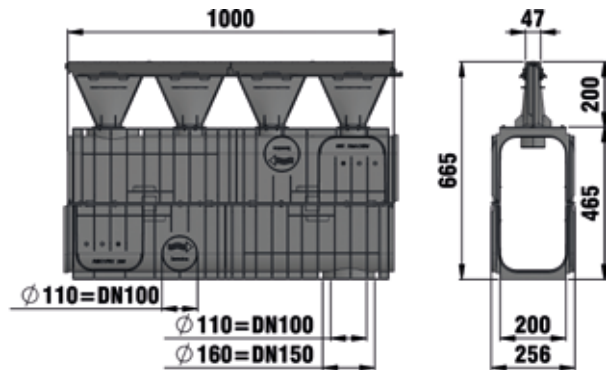
Trash box complete with ductile iron grating SW 3x140/20 mm, class E 600

	Length mm	Width mm	Height mm	Weight kg	Item No.
Trash box complete with ductile iron grating SW 3x140/20 mm, class E 600	511	590	1114	101,00	16500
Trash box complete with solid ductile iron cover, class E 600	511	590	1114	103,50	16505
Trash box connector incl. assembling, RECYFIX HICAP 1000	-	-	-	2,73	881
Trash box connector incl. assembling, RECYFIX HICAP 2000	-	-	-	4,10	882
Trash box connector incl. assembling, RECYFIX HICAP 3000	-	-	-	3,90	884
Trash box connector incl. assembling, RECYFIX HICAP 5000	-	-	-	3,80	886
Trash box connector incl. assembling, RECYFIX HICAP 10000	-	-	-	4,70	888

# RECYFIX®HICAP®F 5000

## RECYFIX®HICAP®F 5000 up to load class D 400

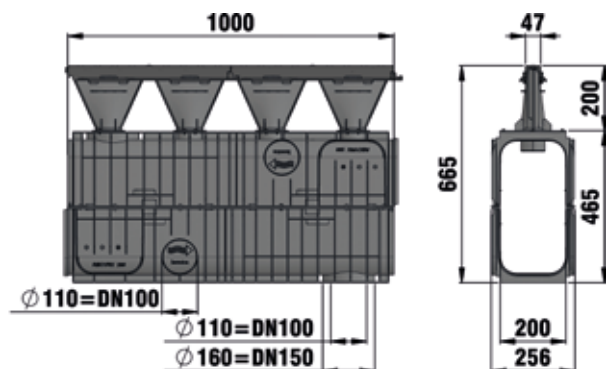
Type 5200,  
slot 6 mm



	Length mm	Width mm	Height mm	Drainage cross-sect. cm <sup>2</sup>	Intake cross-sect. cm <sup>2</sup> /m	Funnel H mm	Weight kg	Item No.
Type 5200, slot 6 mm	1000	256	665	790	129	200	14,00	13410

## RECYFIX®HICAP®F 5000 up to load class F 900

Type 5200,  
mesh 13/28 mm



	Length mm	Width mm	Height mm	Drainage cross-sect. cm <sup>2</sup>	Intake cross-sect. cm <sup>2</sup> /m	Funnel H mm	Weight kg	Item No.
Type 5200, mesh 13/28 mm	1000	256	665	790	172	200	13,90	13420
Type 5200, slot 28 mm	1000	256	665	790	248	200	12,61	13430
Type 5200, slot 14 mm	1000	256	665	790	124	200	13,45	13425



# RECYFIX®HICAP®F 5000

## RECYFIX®HICAP®F 5000, Accessories



End cap closed, galvanised, type 5000



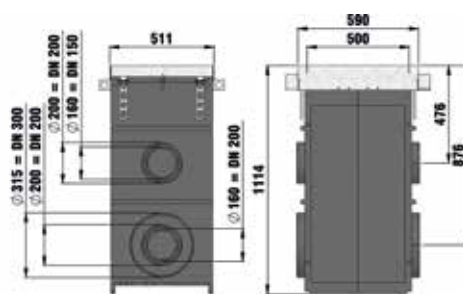
End cap with PVC-U pipe outlet DN/OD 200, galvanised, type 5000



Step-fall connector from RECYFIX HICAP 5000 to RECYFIX HICAP 3000

	Length mm	Width mm	Height mm	Weight kg	Item No.
End cap closed, galvanised, type 5000	-	240	450	2,00	13412
End cap with PVC-U pipe outlet DN/OD 200, galvanised, type 5000	-	240	450	2,10	13415
Step-fall connector from RECYFIX HICAP 5000 to RECYFIX HICAP 3000	-	-	-	2,20	13217
Step-fall ramp, stainless steel, from RECYFIX HICAP 5000 to RECYFIX HICAP 3000	84	197	80	0,48	13295

## RECYFIX®HICAP®F Trash boxes



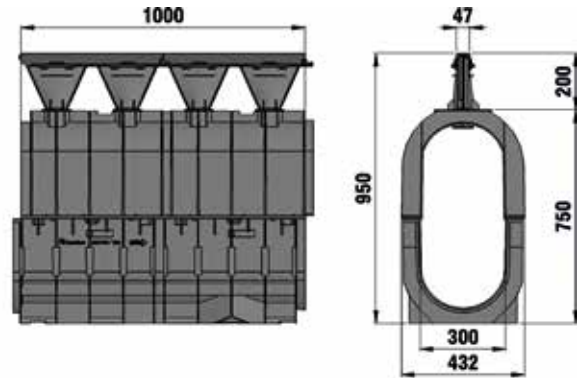
Trash box complete with ductile iron grating SW 3x140/20 mm, class E 600

	Length mm	Width mm	Height mm	Weight kg	Item No.
Trash box complete with ductile iron grating SW 3x140/20 mm, class E 600	511	590	1114	101,00	16500
Trash box complete with solid ductile iron cover, class E 600	511	590	1114	103,50	16505
Trash box connector incl. assembling, RECYFIX HICAP 1000	-	-	-	2,73	881
Trash box connector incl. assembling, RECYFIX HICAP 2000	-	-	-	4,10	882
Trash box connector incl. assembling, RECYFIX HICAP 3000	-	-	-	3,90	884
Trash box connector incl. assembling, RECYFIX HICAP 5000	-	-	-	3,80	886
Trash box connector incl. assembling, RECYFIX HICAP 10000	-	-	-	4,70	888

# RECYFIX®HICAP®F 8000

## RECYFIX®HICAP®F 8000 up to load class D 400

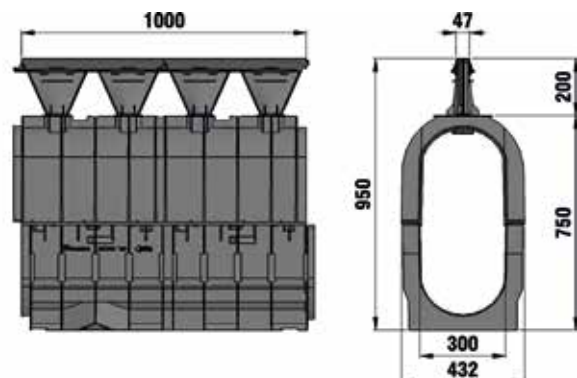
Type 8200,  
slot 6 mm



	Length mm	Width mm	Height mm	Drainage cross-sect. cm <sup>2</sup>	Intake cross-sect. cm <sup>2</sup> /m	Funnel H mm	Weight kg	Item No.
Type 8200, slot 6 mm	1000	432	950	1714	129	200	24,00	13610

## RECYFIX®HICAP®F 8000 up to load class E 600

Type 8200,  
mesh 13/28 mm

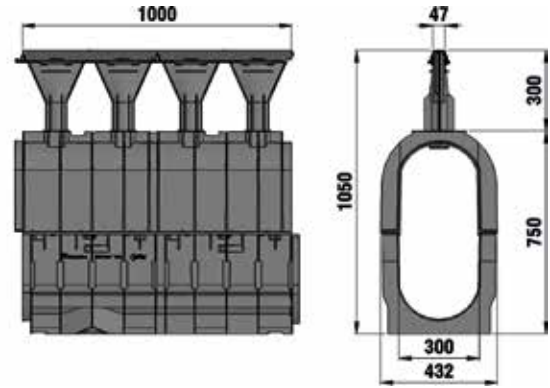
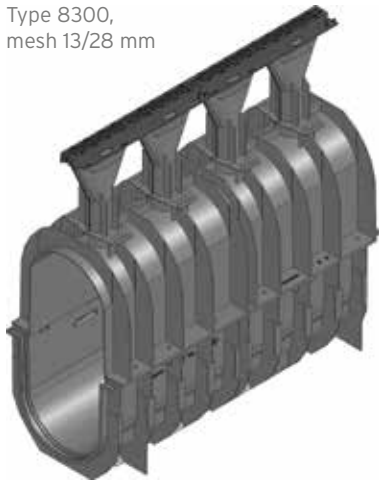


	Length mm	Width mm	Height mm	Drainage cross-sect. cm <sup>2</sup>	Intake cross-sect. cm <sup>2</sup> /m	Funnel H mm	Weight kg	Item No.
Type 8200, mesh 13/28 mm	1000	432	950	1714	172	200	23,90	13620
Type 8200, slot 28 mm	1000	432	950	1714	248	200	21,64	13630
Type 8200, slot 14 mm	1000	432	950	1714	124	200	23,45	13625

# RECYFIX®HICAP®F 8000

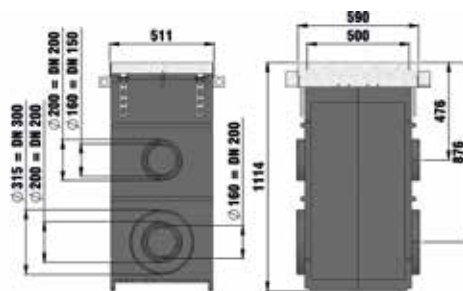
## RECYFIX®HICAP®F 8000 up to load class F 900

Type 8300,  
mesh 13/28 mm



	Length mm	Width mm	Height mm	Drainage cross-sect. cm <sup>2</sup>	Intake cross-sect. cm <sup>2</sup> /m	Funnel H mm	Weight kg	Item No.
Type 8300, mesh 13/28 mm	1000	432	1050	1714	172	300	24,10	13670
Type 8300, slot 28 mm	1000	432	1050	1714	248	300	22,24	13680
Type 8300, slot 14 mm	1000	432	1050	1714	124	300	23,77	13675

## RECYFIX®HICAP®F Trash boxes



Trash box complete with ductile  
iron grating SW 3x140/20 mm,  
class E 600

	Length mm	Width mm	Height mm	Weight kg	Item No.
Trash box complete with ductile iron grating SW 3x140/20 mm, class E 600	511	590	1114	101,00	16500
Trash box complete with solid ductile iron cover, class E 600	511	590	1114	103,50	16505
Trash box connector incl. assembling, RECYFIX HICAP 1000	-	-	-	2,73	881
Trash box connector incl. assembling, RECYFIX HICAP 2000	-	-	-	4,10	882
Trash box connector incl. assembling, RECYFIX HICAP 3000	-	-	-	3,90	884
Trash box connector incl. assembling, RECYFIX HICAP 5000	-	-	-	3,80	886
Trash box connector incl. assembling, RECYFIX HICAP 10000	-	-	-	4,70	888

# RECYFIX®HICAP®F 8000

## RECYFIX®HICAP®F 8000, Accessories



End cap closed, galvanised,  
type 8000



End cap with PVC-U pipe  
outlet DN/OD 200, galvanised,  
type 8000

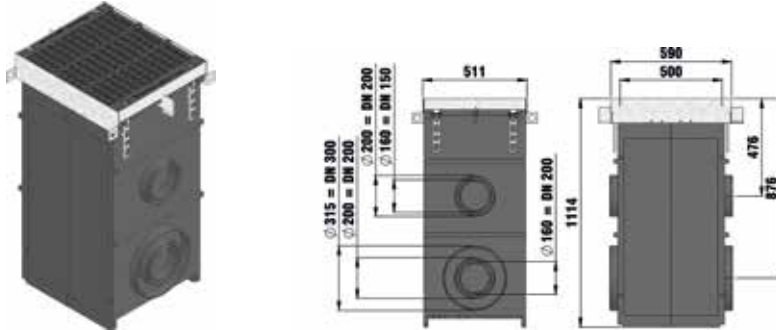


Step-fall connector from  
RECYFIX HICAP 8000 to  
RECYFIX HICAP 5000

	Length mm	Width mm	Height mm	Weight kg	Item No.
End cap closed, galvanised, type 8000	-	420	720	3,00	13612
End cap with PVC-U pipe outlet DN/OD 200, galvanised, type 8000	-	420	720	5,60	13615
Step-fall connector from RECYFIX HICAP 8000 to RECYFIX HICAP 5000	-	-	-	2,00	13417
Step-fall ramp, stainless steel, from RECYFIX HICAP 8000 to RECYFIX HICAP 5000	258	291	254	1,95	13695

# RECYFIX®HICAP®F 8000

## RECYFIX®HICAP®F Trash boxes



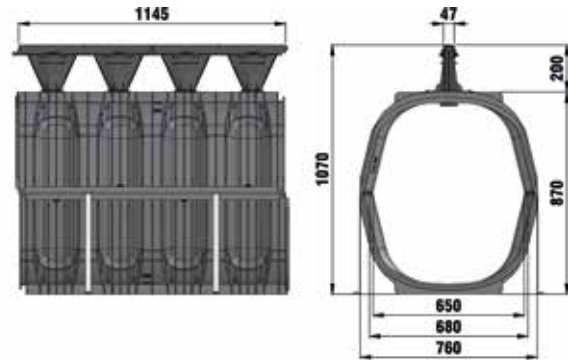
Trash box complete with ductile iron grating SW 3x140/20 mm, class E 600

	Length mm	Width mm	Height mm	Weight kg	Item No.
Trash box complete with ductile iron grating SW 3x140/20 mm, class E 600	511	590	1114	101,00	16500
Trash box complete with solid ductile iron cover, class E 600	511	590	1114	103,50	16505
Trash box connector incl. assembling, RECYFIX HICAP 1000	-	-	-	2,73	881
Trash box connector incl. assembling, RECYFIX HICAP 2000	-	-	-	4,10	882
Trash box connector incl. assembling, RECYFIX HICAP 3000	-	-	-	3,90	884
Trash box connector incl. assembling, RECYFIX HICAP 5000	-	-	-	3,80	886
Trash box connector incl. assembling, RECYFIX HICAP 10000	-	-	-	4,70	888

# RECYFIX®HICAP®F 10000

## RECYFIX®HICAP®F 10000 up to load class D 400

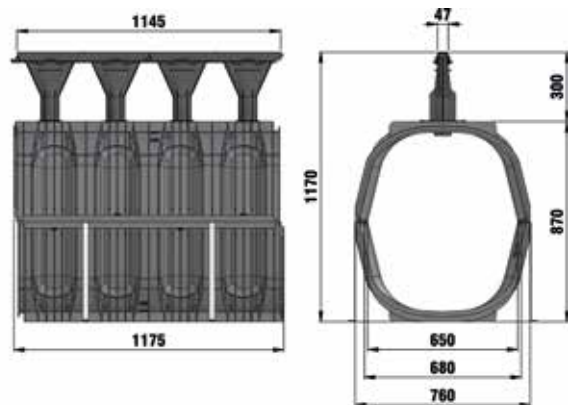
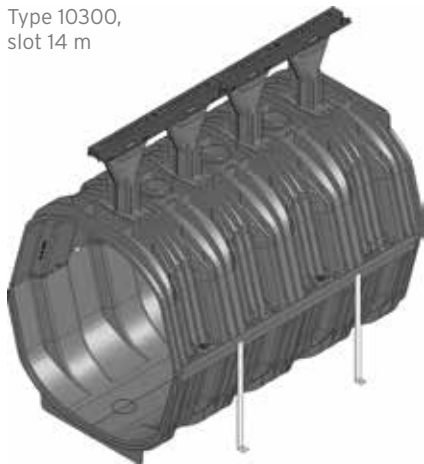
Type 10200,  
slot 6 mm



	Length mm	Width mm	Height mm	Drainage cross-sect. cm <sup>2</sup>	Intake cross-sect. cm <sup>2</sup> /m	Funnel H mm	Weight kg	Item No.
Type 10200, slot 6 mm	1145	760	1070	4430	154	200	31,88	13810

## RECYFIX®HICAP®F 10000 up to load class F 900

Type 10300,  
slot 14 mm



	Length mm	Width mm	Height mm	Drainage cross-sect. cm <sup>2</sup>	Intake cross-sect. cm <sup>2</sup> /m	Funnel H mm	Weight kg	Item No.
Type 10300, mesh 13/28 mm	1145	760	1170	4430	172	300	31,20	13870
Type 10300, slot 28 mm	1145	760	1170	4430	248	300	31,18	13880
Type 10300, slot 14 mm	1145	760	1170	4430	-	300	32,17	13885

# RECYFIX®HICAP®F 10000

## RECYFIX®HICAP®F 10000, Accessories



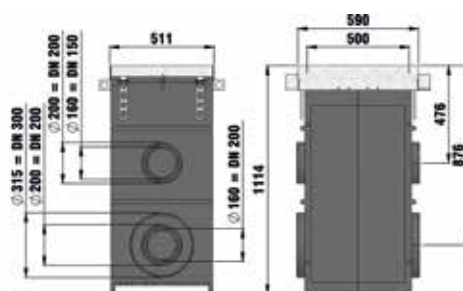
Step-fall connector from RECYFIX HICAP 10000 to RECYFIX HICAP 8000



Step-fall ramp, stainless steel, from RECYFIX HICAP 10000 to RECYFIX HICAP 8000

	Length mm	Width mm	Height mm	Weight kg	Item No.
2 x end caps, black, incl. assembly set	-	-	-	4,42	96002
Step-fall connector from RECYFIX HICAP 10000 to RECYFIX HICAP 8000	-	-	-	5,00	13617
Step-fall ramp, stainless steel, from RECYFIX HICAP 10000 to RECYFIX HICAP 8000	280	686	255	4,32	13895

## RECYFIX®HICAP®F Trash boxes



Trash box complete with ductile iron grating SW 3x140/20 mm, class E 600

	Length mm	Width mm	Height mm	Weight kg	Item No.
Trash box complete with ductile iron grating SW 3x140/20 mm, class E 600	511	590	1114	101,00	16500
Trash box complete with solid ductile iron cover, class E 600	511	590	1114	103,50	16505
Trash box connector incl. assembling, RECYFIX HICAP 1000	-	-	-	2,73	881
Trash box connector incl. assembling, RECYFIX HICAP 2000	-	-	-	4,10	882
Trash box connector incl. assembling, RECYFIX HICAP 3000	-	-	-	3,90	884
Trash box connector incl. assembling, RECYFIX HICAP 5000	-	-	-	3,80	886
Trash box connector incl. assembling, RECYFIX HICAP 10000	-	-	-	4,70	888



### HAURATON GmbH & Co. KG

Werkstraße 13  
76437 Rastatt  
Germany

Tel. +49 7222 958 222

Fax +49 7222 958 100

info@hauraton.com

[www.hauraton.com](http://www.hauraton.com)



10/2017 | Printed in Germany  
Abbildungen, Maß- und Gewichtsangaben  
sind unverbindlich! Technische Änderungen,  
die dem Fortschritt dienen, behalten wir uns vor.  
007-01-1017 EN